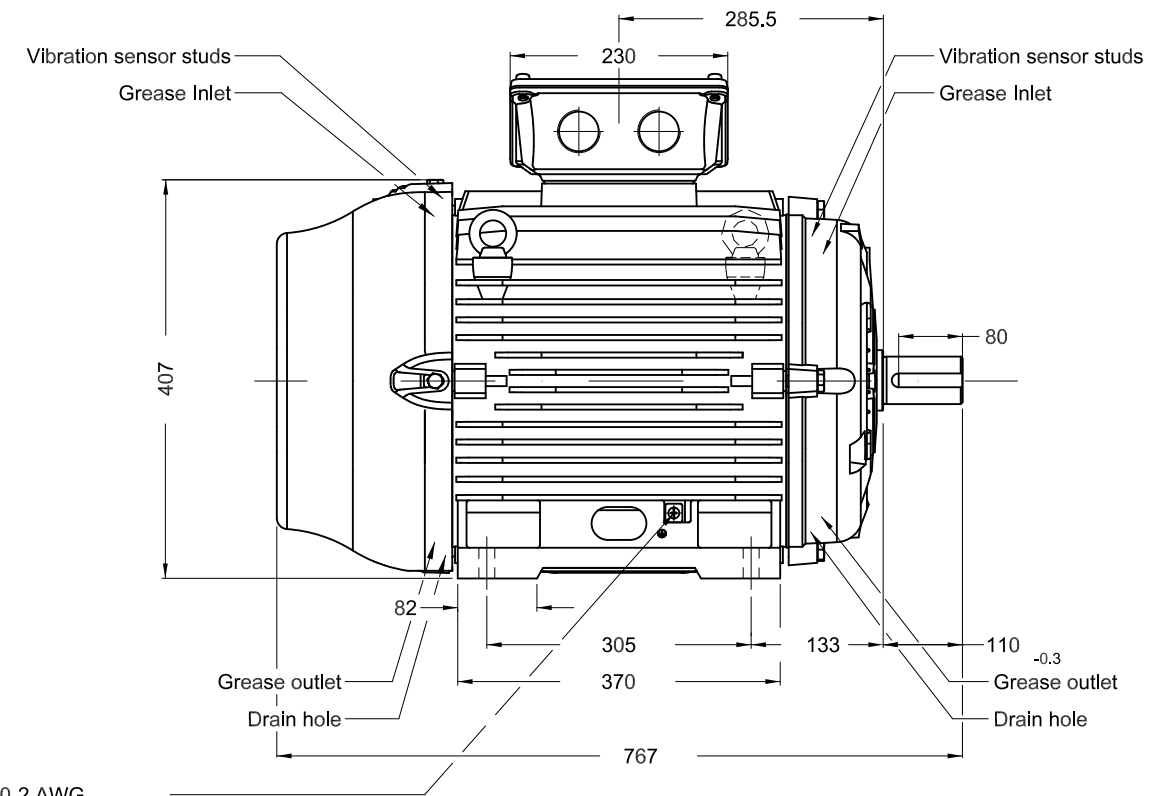
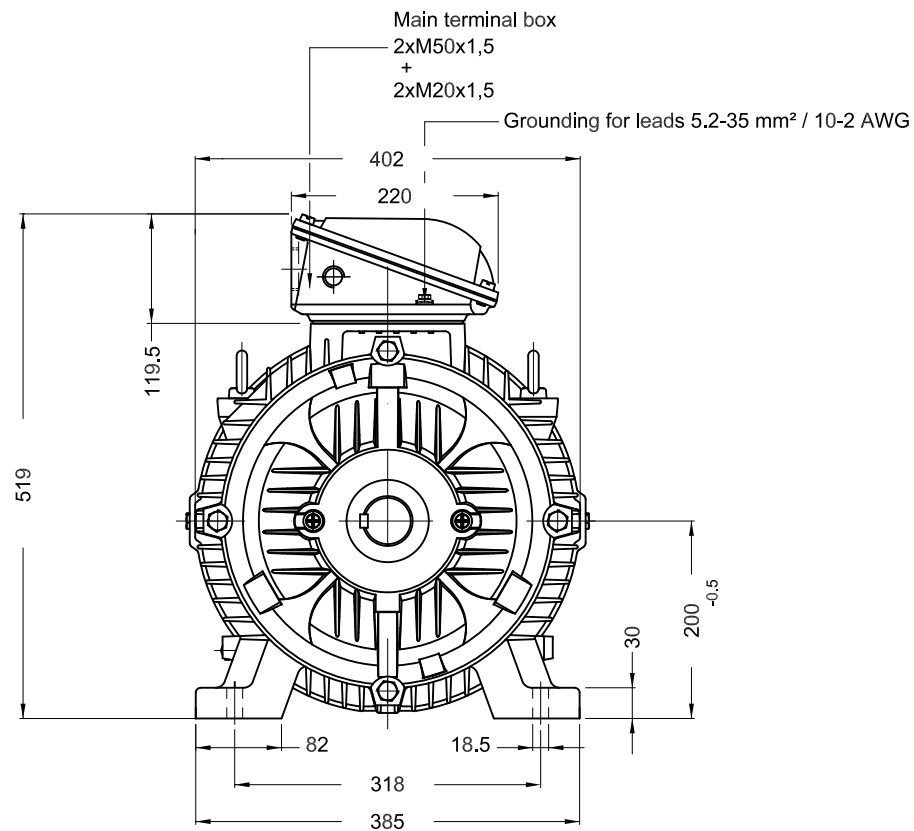


1 2 3 4 5 6

A



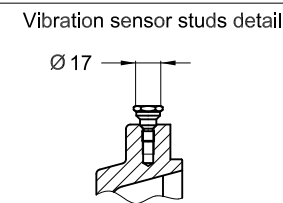
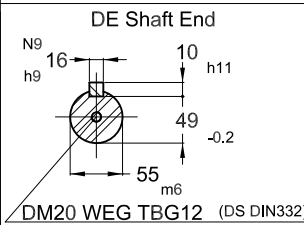
C

D

30 kW 04 Poles 50 Hz A

QUANTUM CONTROLS

Space heaters 110-127 V / 200-240 V
With grease fitting
SPM studs
Color RAL 5009
Painting plan 202P
Mounting B3T



ECM	LOC	SUMMARY OF MODIFICATIONS				EXECUTED	CHECKED	RELEASED	DATE	VER	
EXECUTED	PIRWBUSER		THREE PH. MOTOR W22 IE3				<p>PREVIEW</p> <p>WDD</p>		SHEET	1 / 1	
CHECKED			FRAME 200L IP55 TEFC								
RELEASED											
REL DT.		WMO	Jaragua do Sul	Product Engineering							

Dimensions in mm

XME A3